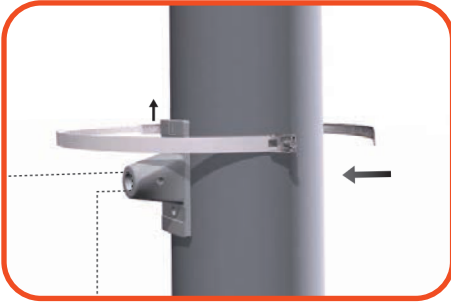


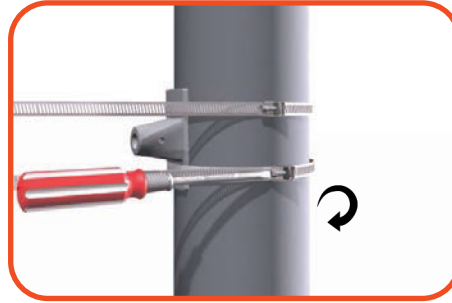


Street Pole Banner *Setup Instructions*



Step 1

Place brackets on street pole and secure with stainless steel clamps (2 pc. clamp per bracket).



Step 2

Tighten clamps with a screwdriver or an electric drill with a screwdriver bit for a quicker install.



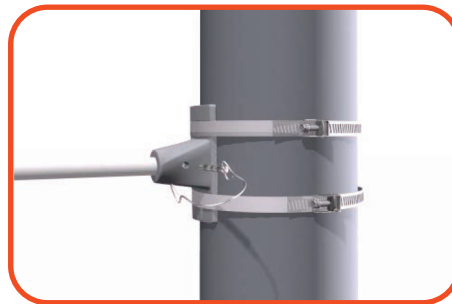
Step 3

Insert poles through pole pockets of graphic.



Step 4

Insert poles into holes on bracket (bracket position may need adjustment).



Step 5

Insert pin to lock poles into place.